

190,660

JIG SAW PUZZLE

Robert G. Mote, 3024 Davidson Ave.,
San Bernardino, Calif.

Filed June 23, 1958, Ser. No. 51,470

Term of patent 14 years

(Cl. D34—5)

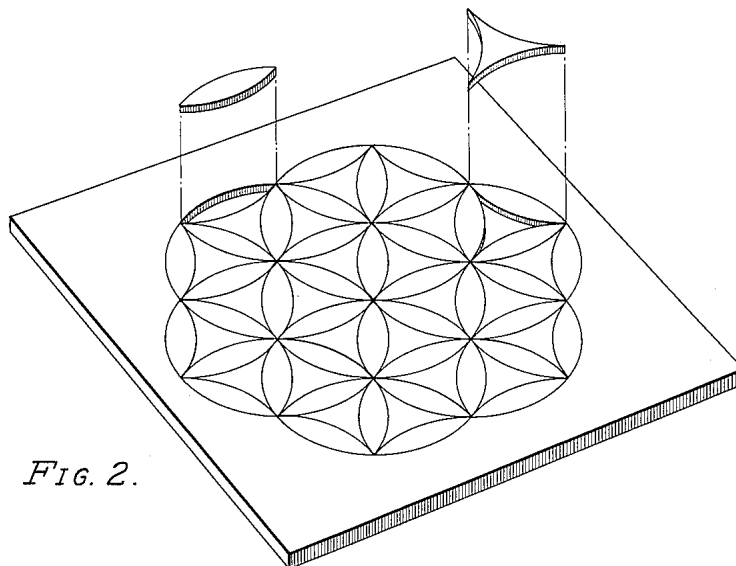
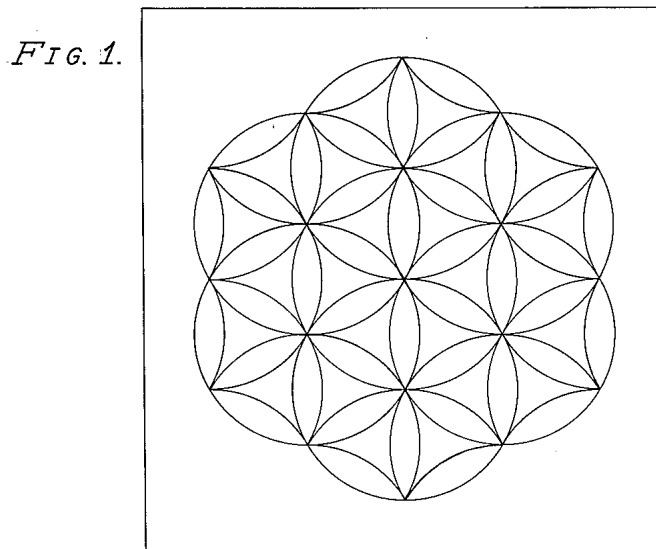


FIGURE 1 is a plan view of a jig saw puzzle embodying my new design; and

FIGURE 2 is a perspective view with two of the elements exploded.

I claim:

The ornamental design for a jig saw puzzle, substantially as shown.

References Cited in the file of this patent

UNITED STATES PATENTS

2,520,207 Graham _____ Aug. 29, 1950

OTHER REFERENCES

Handbook of Designs and Devices by Hornung, rec'd.
Aug. 27, 1946, plate 11, item 99, lower right.