



(11) (A) No.

**1 199 351**

(45) ISSUED 860114

(52) CLASS 272-40

(51) INT. CL. A63F 9/08<sup>4</sup>

(19) (CA) **CANADIAN PATENT** (12)

(54) Disc Puzzle

(72) Rahmani, Ali,  
Canada

(73) Granted to Zem-Zem Enterprises Ltd.  
Canada

(21) APPLICATION No. 442,224

(22) FILED 831129

No. OF CLAIMS 5

**Canada**

442 227

ABSTRACT OF THE DISCLOSURE

A disc game or puzzle for educational or entertainment purposes includes a plurality of spaced apart discs rotatably mounted on a shaft between fixed end plates, and a plurality of strips removably mounted on each disc for receiving indicia for matching with indicia on an adjacent disc or discs. For example, the names of teams involved in a professional sport can be placed on the strips of one disc, with the home cities of the teams on the strips of a second disc; and the team logos on a third disc.

# 1199351

This invention relates to a puzzle or game device,  
and in particular to a sports game or puzzle.

There are a variety of sports games or puzzles currently available in the marketplace. Most such devices are electronic or board games, which are expensive to produce and time consuming to play.

The object of the present invention is to provide a relatively simple sports game or puzzle, which can be played quickly by one or more players.

10           Accordingly, the present invention relates to a combination game and puzzle comprising shaft means; a plurality of disc means rotatably mounted on said shaft means; and a plurality of distinct strips extending across each said disc means parallel to said shaft means for bearing indicia for matching with indicia on at least one strip on an adjacent disc means.

The invention will now be described in greater detail with reference to the accompanying drawing, which illustrates a preferred embodiment of the invention, and wherein:

20           Figure 1 is a perspective view from above of a device in accordance with the present invention;

            Figure 2 is a longitudinal sectional view of the device of Fig. 1;

            Figure 3 is a plan view of the device of Figs. 1 and 2; and

            Figure 4 is a bottom view of the device of Figs. 1 to 3.

30           With reference to the drawing, the device of the present invention includes a shaft 1, which rotatably supports three wooden discs 2, 3 and 4. The discs 2, 3 and 4 are separated from each other, and from a top plate 5 and a base plate 6 by metal washers 7. The outer surface of the top plate



# 1199351

5 is divided into quadrants 8 by lines 9 which are painted on or cut into the plate 5. The lower surface of the base plate 6 is divided into halves 10 by a line 11. Feet 12 are provided on the lower surface of the base plate 6 for supporting the device in the non-use position (Fig. 2).

A plurality of strips 13 are removably mounted in each of the discs 2, 3 and 4. The strips 13 extend across the discs, i.e. in a direction parallel to the longitudinal axis of the shaft 1. The strips 13 are wedge-shaped in cross-section, and are  
10 slidably mounted in similarly shaped slots 14 in the discs 2, 3 and 4.

The device is used as a sports game and/or puzzle. For example, when using the device as a hockey puzzle, the names of the various divisions in the National Hockey League can be inserted in the four quadrants 8 of the top plate 5, and other information inserted in the halves 10 of the base plate 6. The names of the various cities having National Hockey League teams are placed on the strips 13 of one disc 2, the team logos are placed on the strips 13 of the second disc 3, and the team names,  
20 e.g. Canadiens (a registered trade mark) are placed on the strips 13 of the third disc 4. The person using the device is then required to match the indicia on one set of strips, i.e. the indicia on the strips 13 of one disc 2, 3 or 4 with the indicia on the strips 13 of the adjacent disc or discs.

The indicia on each strip 13 can be on tape or otherwise removable. Since the strips 13 are removable, a plurality of sets of strips can be provided so that the device can be used for a variety of sports such as football, basketball or soccer. Of course, a sheet or book of instructions, showing  
30 the correct match-ups can be provided with the device. It will

# 1199351

be appreciated that the game or puzzle can be used for teaching mathematics, word meanings or other subjects. For example, a plurality of words can be placed on the strips of one disc, the synonyms of such words can be placed on the adjacent disc and the antonyms of such words can be placed on the third disc.

THE EMBODIMENTS OF THE INVENTION IN WHICH AN EXCLUSIVE PROPERTY OR PRIVILEGE IS CLAIMED ARE DEFINED AS FOLLOWS:

1. A combination game and puzzle device comprising shaft means; a plurality of disc means rotatably mounted on said shaft means; and a plurality of distinct strips extending across each said disc means parallel to said shaft means for bearing indicia for matching with indicia on at least one strip on an adjacent disc means.

2. A device according to claim 1, wherein said strip means are removably mounted on said disc means.

3. A device according to claim 2, wherein said strip means are wedge-shaped in cross-section and said disc means includes similarly shaped slots for slidably retaining said strip means.

4. A device according to claim 1, including a pair of end plates at each end of said disc means.

5. A device according to claim 4, including washer means on said shaft means separating said disc means from each other and from said end plates.



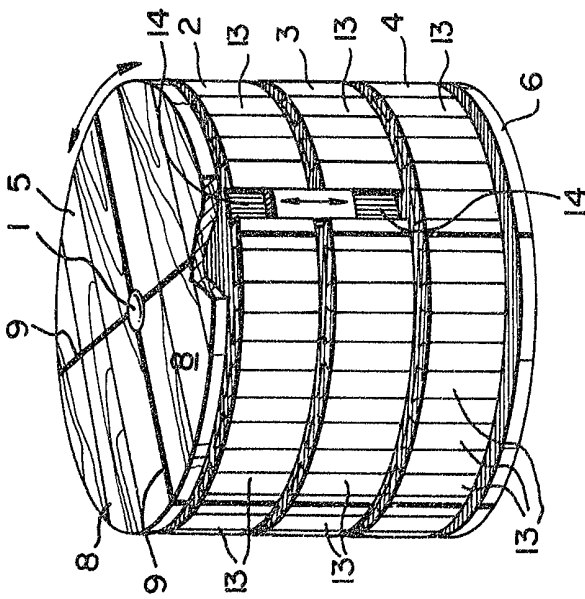


FIG. 1

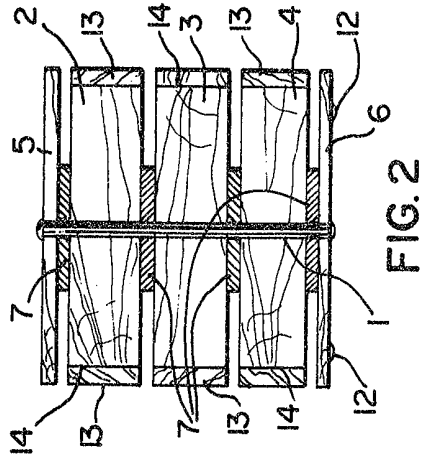


FIG. 2

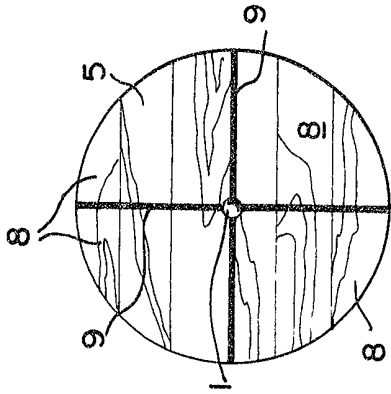


FIG. 3

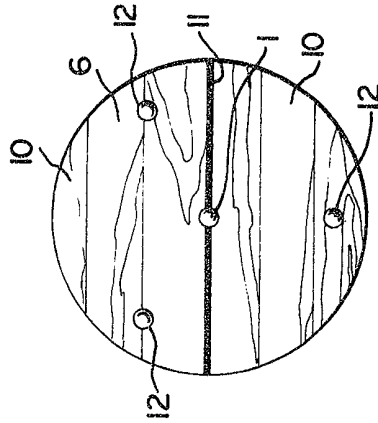


FIG. 4



*A. Rahmani*  
*G. H. Rahmani*